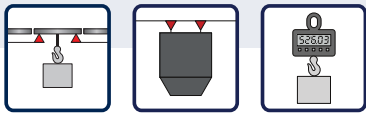


S-type load cell S20N



Features

- ▶ Material: Stainless steel
- ▶ Capacity: 100 - 1.000 kg
- ▶ Design: The measuring element is sealed and has trimmed output
- ▶ Protection class: IP 66
- ▶ Load introduction by symmetrical tapped holes at the top and bottom of the load cell
- ▶ Particularly robust for heavy duty industrial use
- ▶ Compatible with other sources

Scope of application:

- ▶ Hybrid scales
- ▶ Silo scales
- ▶ Crane scales
- ▶ Tractive force testing machines
- ▶ Tank weighing, filling, dosing and mixing systems
- ▶ BIG-BAG scales
- ▶ medical lift scales
- ▶ hanging hopper scales



S-type load cell S20N

Load cell with high accuracy and linearity

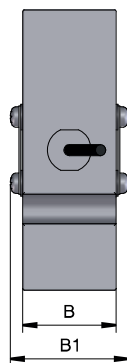
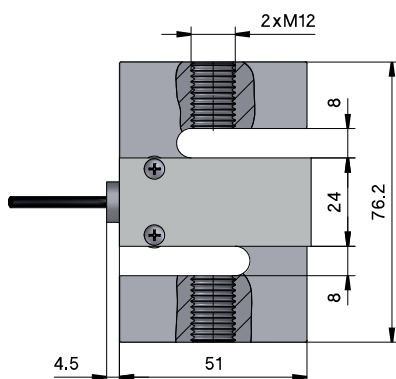
The S-shaped S20N load cell was specially designed for measuring tensile and compressive forces. A centric thread in the upper and lower part of the load cell ensures optimal force application in tension and compression direction. The S load cells are made of stainless steel and feature high accuracy and linearity. The S20N load cells provide extremely precise and reproducible measurement results even in long-term

use in harsh industrial environments. The load cell is potted and meets the requirements of protection class IP66. Due to simple integration possibilities and good dynamic behaviour, these load cells are often offered as force transducers and calibrated in Newton.

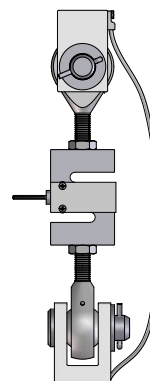
TECHNICAL DETAILS

Accuracy class according to OIML R 60:		0,03
Nominal load (E_{max})	kg	100, 200, 300, 500, 750, 1.000
Number of division values (n_{LC})		3000
Nominal value (C_n) / Characteristic tolerance	mV/V	$2,0 \pm 0,003$
Minimum preload (E_{min})		0
Minimum preload (EL)	% from E_{max}	120
Breaking load (E_d)		200
Recommended supply voltage (U_{ref})	V	5 - 12
Maximum permissible supply voltage (BU)		15
Zero adjustment	% v. C_n	± 3
Input resistance (RLC) at reference temperature	Ω	400 ± 10
Output resistance (RO) at reference temperature	Ω	352 ± 2
Insulation resistance	M Ω	> 5 000
Nominal temperature range (BT)	$^{\circ}C$	- 10 ... + 40
Protection class according to (DIN 40.050 / EN 60529)		IP 65
Material		Stainless steel

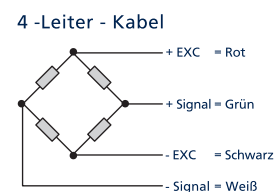
TECHNICAL DRAWINGS



Einbaubeispiel



Elektrischer Anschluss



Last	B	B1
100 - 750 kg	19,1	25,05
1000 kg	25,4	30,95